

CME-85



Specifications

Power

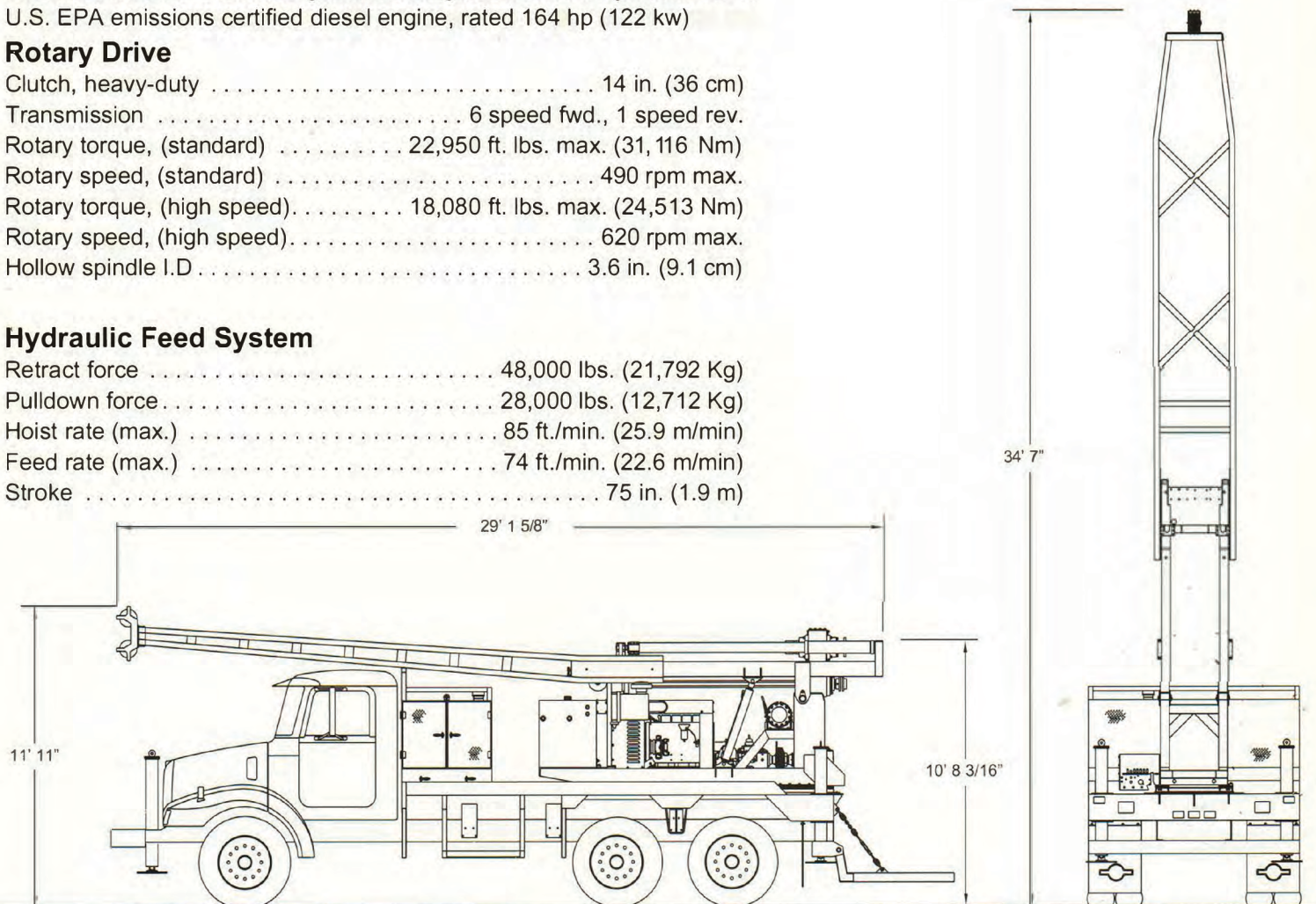
Cummins QSB6.7 Turbocharged and charge air cooled 6 cylinder Tier-4f U.S. EPA emissions certified diesel engine, rated 164 hp (122 kw)

Rotary Drive

Clutch, heavy-duty 14 in. (36 cm)
Transmission 6 speed fwd., 1 speed rev.
Rotary torque, (standard) 22,950 ft. lbs. max. (31,116 Nm)
Rotary speed, (standard) 490 rpm max.
Rotary torque, (high speed) 18,080 ft. lbs. max. (24,513 Nm)
Rotary speed, (high speed) 620 rpm max.
Hollow spindle I.D. 3.6 in. (9.1 cm)

Hydraulic Feed System

Retract force 48,000 lbs. (21,792 Kg)
Pulldown force 28,000 lbs. (12,712 Kg)
Hoist rate (max.) 85 ft./min. (25.9 m/min)
Feed rate (max.) 74 ft./min. (22.6 m/min)
Stroke 75 in. (1.9 m)



Typical tandem axle truck configuration. Dimensions may vary, depending on truck wheelbase or all-wheel drive applications.

Central Mine Equipment Company manufactures a complete line of drilling equipment for the environmental, geotechnical and water well drilling industries of the world. We have been a leader in drilling product quality, innovation and service for over ninety years.



CENTRAL MINE EQUIPMENT COMPANY

4215 Rider Trail North, Earth City (St. Louis), Missouri, 63045 USA

Phone: 314-291-7700 • 1-800-325-8827 • FAX: 314-291-4880

E-mail: info@cmeco.com • Website: www.cmeco.com