



model 6600 w/PC111 Carrier



- 66 in. (1676 mm) probe cylinder stroke allows use of 60 in. (1,524 mm) probe rods
- Over 20 ton pulling capacity for today's larger sampling tools and deeper depths
- Equipped with the powerful GH62 Hammer
- Built-in rotary spindle for concrete drilling, augering, and anchoring
- Two-speed probe cylinder
- Mast oscillation allows easy alignment with probing terrain
- Auxiliary hydraulic ports provide power for remote equipment
- 164 cu. ft. of enclosed dry storage area
- Translucent Roof
- 2 flip-up side doors, 2 swing-out side doors, and a roll-up rear door
- 42 gal. water transport system
- In-frame Tool Storage
- 2 drop-down work tables for onsite paperwork
- Interior compartment lights and exterior work lights



Model 6600 Specifications

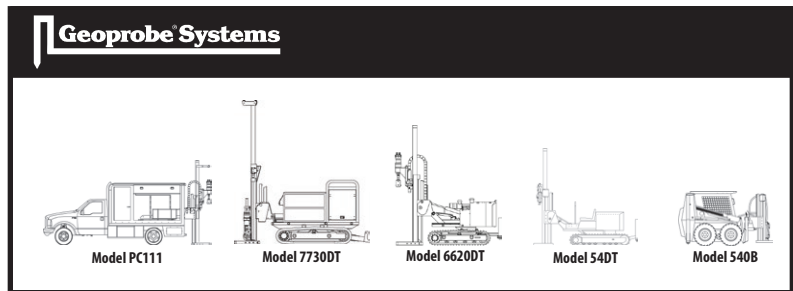
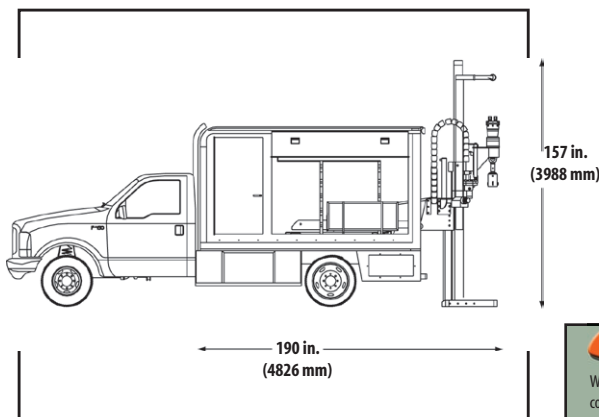
Stroke.....	66 in.	1676 mm
Weight	2,250 lb.	1,026 kg
Width	48 in.	1219 mm
Length (folded).....	90 in.	2286 mm
Height (folded).....	56 in.	1422 mm
Height (unfolded).....	153 in.	3886 mm
Lateral Movement (side-to-side).....	39 in.	991 mm
Foot Travel.....	45 in.	1143 mm
Extension.....	30 in.	762 mm
Oscillation (both directions).....	6 degrees from vertical	
Down Force	34,000 lb.	151 kN
Retraction Force.....	46,000 lb.	205 kN
Hydraulic Pressure (system).....	2,450 psi	169 bar
Hydraulic Flow Rate (system).....	30 gpm	114 Lpm
Hammer System.....	GH62	
Percussion Rate.....	32 Hz	
Torque (hammer motor).....	560 ft. lb.	759 Nm
Rotation Rate (hammer motor).....	240 rpm	(bi-directional)

PC111 Specifications

PC111 Enclosure Height	87 in.	2210 mm
PC111 Enclosure Width.....	96 in.	2438 mm
PC111 Enclosure Length.....	138 in.	3505 mm
Overall Vehicle/Enclosure Height.....	109 in.	2769 mm
Overall Vehicle/Enclosure Length.....	258 in.	6553 mm
Flip-up Side Door Height.....	48 in.	1219 mm
Flip-up Side Door Width.....	86 in.	2184 mm
Swing-out Side Door Height.....	60 in.	1524 mm
Swing-out Side Door Width.....	30 in.	762 mm
Roll-up Rear Door Height.....	74 in.	1880 mm
Roll-up Rear Door Width.....	88 in.	2235 mm

Augerhead Specifications

Torque (high torque/low speed).....	3,000 ft. lb.	4067 Nm
Torque (low torque/high speed).....	1,500 ft. lb.	2034 Nm
Hex adapter.....	1-5/8 in.	41 mm
Rotation speed (low speed/high torque).....	0-105rpm	
Rotation speed (high speed/low torque).....	0-150rpm	



e-specs

We have developed this E-specs document to allow you the ability to quickly compare the features and capabilities of various probe machines offered by Geoprobe Systems® ... the direct push innovators. Unit and tooling specifications are subject to change without notice. If you are interested in a specific Geoprobe® direct push system, please call us at 1-800-436-7762 for a formal, specialized quotation which includes all the details required for purchasing your Geoprobe® system.

Geoprobe Systems

601 N. Broadway • Salina, KS 67401
 1-800-436-7762
 www.geoprobe.com